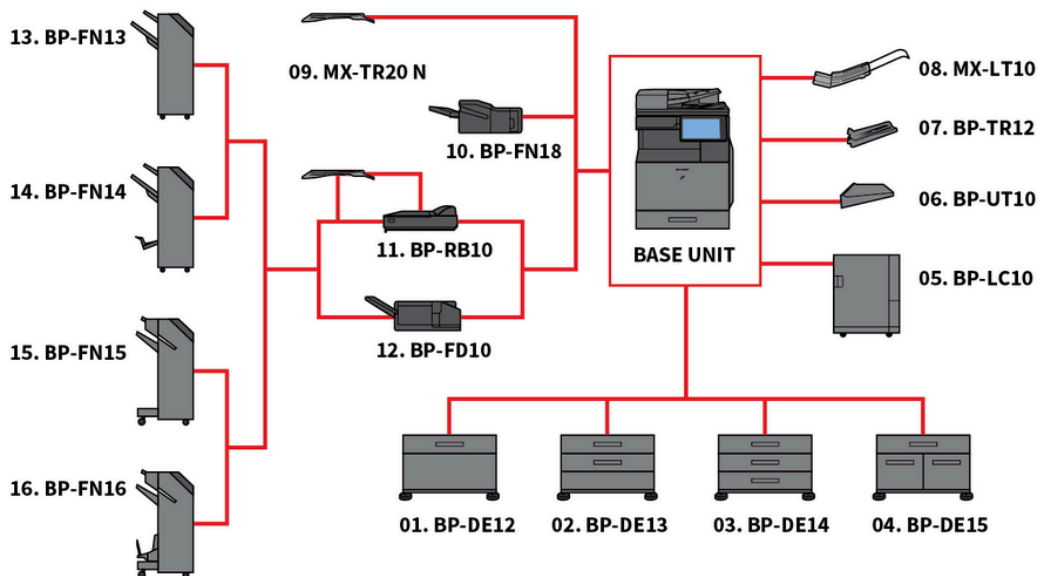




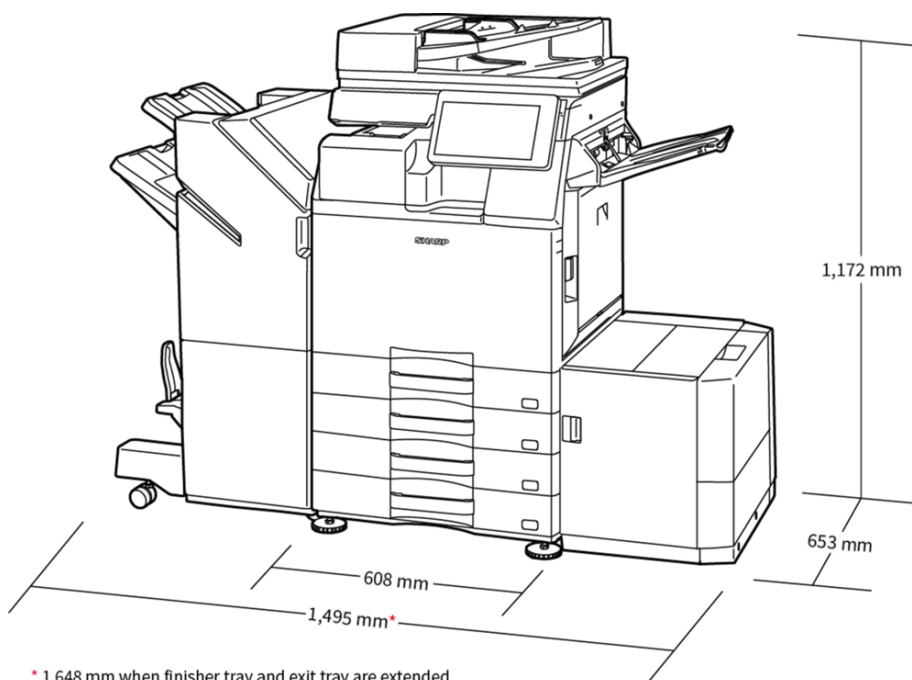
**SHARP**

# Configurations



Configurations may differ per sales region. Please contact your local Sharp representative for further information.

# Dimensions



Dimensions are shown with optional equipment. Options may differ per region.

# Options

## Storage

**BP-SD10 High Capacity SSD**  
512GB SSD

## Security

**BP-FR12U Data Security Kit**  
Commercial version

**BP-VD10 Virus Detection Kit**  
[empty]

## Printing

**MX-PF10 Barcode Font Kit**  
Enables barcode printing

**MX-PU10 Direct Print Expansion Kit**  
Direct print Microsoft® Office files from USB drives. Essential MFPs only.

## Sharp OSA

**MX-AMX1 Application Integration Module**  
[empty]

**BP-AM11 External Account Module**  
[empty]

**BP-AM10 Application Communication Module**  
[empty]

## Finishing

**MX-LT10 Long Paper Feeding Tray**  
Recommended for banner printing

**MX-PN15D Punch Module - 4 Hole Wide**  
Punch module for BP-FN13/BP-FN14/MX-FN28/MX-FN29

**MX-PN14D Punch Module - 4 Hole Wide**  
Punch module for BP-FN11/BP-FN12

**BP-FN14 1k Saddle Stitch Finisher**  
A3W-A5R (offset/staple), SRA3-A5R (non offset); Offset tray (upper): max. 1,000-sheet paper capacity (based on 80 g/m<sup>2</sup>); Stapling capacity: max. 50-sheet multi-position staple (based on 80 g/m<sup>2</sup>); Saddle stitch tray (lower): 7 sets (11-15 sheets), 10 sets (6-10 sheets), 20 sets (1-5 sheets). 15 sheets max per set; Requires BP-RB10 Paper Pass Unit

**MX-PN16D Punch Module - 4 Hole Wide**  
Punch module for BP-FN15/BP-FN16/MX-FN30/MX-FN31/MX-FN34/MX-FN35

**MX-PN15C Punch Module - 2/4 Hole**  
Punch module for BP-FN13/BP-FN14/MX-FN28/MX-FN29

**MX-PN14C Punch Module - 2/4 Hole**  
Punch module for BP-FN11/BP-FN12

**BP-FN13 1k Finisher**  
A3W-A5R (offset/staple), SRA3-A5R (non offset); Offset tray (upper): max. 1,000-sheet paper capacity (based on 80 g/m<sup>2</sup>); Stapling capacity: max. 50-sheet multi-position staple (based on 80 g/m<sup>2</sup>); Requires BP-RB10 Paper Pass Unit

**BP-FD10 Folding Unit**  
200 sheets (based on 80 g/m<sup>2</sup>), A3, B4, A4R (Z-fold, half fold), A3, A4R (C-Fold, Accordion fold), 60-256 g/m<sup>2</sup>

**MX-TR20N Job Separator Tray**  
Requires BP-TU10 Exit Tray Cabinet

**MX-PN16C Punch Module - 2/4 Hole**  
Punch module for BP-FN15/BP-FN16/MX-FN30/MX-FN31/MX-FN34/MX-FN35

**BP-TR12 Exit Tray Unit**  
[empty]

**BP-RB10 Paper Pass Unit**  
Required when using BP-FN13, BP-FN14, BP-FN15 or BP-FN16

**BP-FN16 3k Saddle Stitch Finisher**  
A3-B5 (offset/staple), SRA3-A5R (non offset); Offset tray (upper): max. 3,000-sheet paper capacity (based on 80 g/m<sup>2</sup>); Stapling capacity: max. 65-sheet multi-position staple (based on 80 g/m<sup>2</sup>); Manual Stapling: 1-point at rear (Flat), 45 sheets (64 g/m<sup>2</sup>), 40 sheets (80 g/m<sup>2</sup>); Stapleless capacity: max. 10-sheet (64 g/m<sup>2</sup>), 8 sheet (65 - 81.4 g/m<sup>2</sup>), 6 sheet (81.5 - 105 g/m<sup>2</sup>); Saddle stitch tray (lower): 10 sets (11-20 sheets), 15 sets (6-10 sheets), 25 sets (1-5 sheets). 20 sheets max per set; Requires BP-RB10 Paper Pass Unit

**BP-FN15 3k Finisher**  
A3-B5 (offset/staple), SRA3-A5R (non offset); Offset tray (upper): max. 3,000-sheet paper capacity (based on 80 g/m<sup>2</sup>); Stapling capacity: max. 65-sheet multi-position staple (based on 80 g/m<sup>2</sup>); Manual Stapling: 1-point at rear (Flat), 45 sheets (64 g/m<sup>2</sup>), 40 sheets (80 g/m<sup>2</sup>); Stapleless capacity: max. 10-sheet (64 g/m<sup>2</sup>), 8 sheet (65 - 81.4 g/m<sup>2</sup>), 6 sheet (81.5 - 105 g/m<sup>2</sup>); Requires BP-RB10 Paper Pass Unit

**BP-FN18 Inner Finisher**  
A3 - B5 (offset/staple), SRA3 - A5R (non offset); Offset tray (upper): max. 500-sheet paper capacity\*; Stapling capacity: max. 50-sheet multi-position staple\*; Manual Stapling: 1-point at rear (Flat), 45 sheets (64 g/m<sup>2</sup>), 40 sheets (80 g/m<sup>2</sup>); Stapleless capacity: max.10-sheet (64 g/m<sup>2</sup>), 8 sheet (65 - 81.4 g/m<sup>2</sup>), 6 sheet (81.5 - 105 g/m<sup>2</sup>)

## Faxing

**MX-FWX1 Internet Fax Expansion Kit**  
[empty]

**BP-FX11 Fax Expansion Kit**  
[empty]

## Base Unit

**BP-LC10 Large Capacity Tray**  
3,000 sheets (based on 80 g/m<sup>2</sup>), A4-B5 (60-220 g/m<sup>2</sup>)

**BP-DE14 Stand with 3 x 550-sheet Paper Drawers**  
550 sheets each for lower and upper trays (based on 80 g/m<sup>2</sup>), SRA3-A5R (60-300 g/m<sup>2</sup>)

**BP-UT10 Utility Table**  
[empty]

**BP-DE13 Stand with 2 x 550-sheet Paper Drawers**  
550 sheets each for lower and upper trays (based on 80 g/m<sup>2</sup>), SRA3-A5R (60-300 g/m<sup>2</sup>)

**BP-DE15 Stand with 550 + 2100-sheet Paper Drawers**  
Upper tray: SRA3-A5R, 550 sheets\* (60-300 g/m<sup>2</sup>); Lower tray (Left): A4, 1,200 sheets\* (60-105 g/m<sup>2</sup>); Lower tray (Right): A4 - B5, 900 sheets\* (60-105 g/m<sup>2</sup>); \* Number of sheets based on 80 g/m<sup>2</sup>

**BP-DE12 Stand with 550-sheet Paper Drawer**  
550 sheets (based on 80 g/m<sup>2</sup>), SRA3-A5R (60-300 g/m<sup>2</sup>)

## Scanning

**MX-EB20 OCR Expansion Kit**  
Convert scanned documents into editable Microsoft® Office files and searchable PDFs via Optical Character Recognition (OCR). Essential MFPs only

**MX-EB19 Enhanced Compression Kit**  
Enables creation of high compression PDFs.

## Connectivity

**BP-EB10 Wireless Connection Adaptor**  
Enables connection to wireless networks

# Specifications

## General

Engine speed: A4 Colour (ppm)	45
Engine speed: A4 B/W (ppm)	45
Engine speed: SRA3 Colour (ppm)	23
Engine speed: SRA3 B/W (ppm)	23
Paper size: Min.	A6R
Paper size: Max.	SRA3
Paper weight: Min. (g/m <sup>2</sup> )	52
Paper weight: Max. (g/m <sup>2</sup> )	300
Paper capacity: Std. (sheets)	650
Paper capacity: Max. (sheets)	6300
Warm-up time (sec.)	14
Memory general: Max. (GB)	5
Storage: Std.	SSD
Storage: Opt.	SSD
SSD capacity: Std. (GB)	128
SSD capacity: Opt. (GB)	512
Duplex	Std.
Power requirements: frequency min. (Hz)	50
Power requirements: frequency max. (Hz)	60
Power Requirements: voltage min. (V)	220
Power Requirements: voltage max. (V)	240
Power consumption (kW)	1.84
Base Unit: Width (mm)	608
Base Unit: Depth (mm)	653
Base Unit: Height (mm)	829
Weight (kg)	78

## Fax

Fax	Opt.
Compression method	MH, MR, MMR, JBIG
Communication protocol	Super G3, G3
Transmission time (sec.)	2
Modem speed: Min. (bps)	2400
Modem speed: Max. (bps)	33600
Transmission resolution: Std (dpi)	203.2 x 97.8 dpi
Transmission resolution: Ultra Fine (dpi)	406.4 x 391 dpi
Document size: Min.	A5
Document size: Max.	A3
Memory: Max. (GB)	4
Grey scale (levels)	256
Dial registration: rapid/speed dial	2000
Broadcast transmission (Max. destinations)	500

## Wireless LAN

Wireless LAN	Opt.
Compliant regulation	IEEE802.11a/ac/b/g/n
Access mode	Infrastructure mode, Software AP mode
Security	WEP, WPA/WPA2-mixed PSK, WPA/WPA2-mixed EAP, WPA2 PSK, WPA2 EAP, WPA2 EAP/WPA3-mixed, PSK/SAE, WPA3 SAE, WPA2/WPA3-mixed, EAP, WPA3 EAP

## Print

Network printer	Std.
Resolution (dpi)	1200 x 1200, 600 x 600, 9600 x 600
Interface: Std.	USB 2.0, USB 3.0, 10Base-T, 100Base-TX, 1000Base-T
Supported OS: Std.	Windows 10, Windows 11, Windows Server 2016, Windows Server 2019, Windows Server 2022, Windows Server 2025, Mac OS X 10.15, Mac OS X 11, Mac OS X 12, Mac OS X 13, Mac OS X 14, Mac OS X 15
Network protocols	TCP/IP (IPv4, IPv6)
Printing protocols	LPR, Raw TCP (port 9100), POP3 (e-mail printing), HTTP, FTP for downloading print files, IPP, SMB, WSD
Available Fonts	80 PCL, 139 PostScript 3

## Copy

Original paper size: Max.	A3
First copy out time: Colour (sec.)	6.5
First copy out time: B/W (sec.)	4.6
E-sort	Opt.
Continuous copy (Max. copies)	9999
Scan resolution: B/W (dpi)	600 x 600, 600 x 400
Scan resolution: Colour (dpi)	600 x 600
Print resolution (dpi)	1200 x 1200, 600 x 600, 9600 x 600
Gradation: Colour (equivalent levels)	256
Zoom range: Min. (%)	25
Zoom range: Max. (%)	400
Preset copy ratios	10

## Scan

Network scanner	Std.
Scan method	Push scan, Pull scan
Push scan resolution (dpi)	100, 150, 200, 300, 400, 600
Pull scan resolution (dpi)	75, 100, 150, 200, 300, 400, 600, 50-9600
File formats: Std.	TIFF, PDF, PDF/A-1a, PDF/A-1b, Encrypted PDF, Compact PDF, JPEG, XPS, Searchable PDF, Microsoft Office (pptx, xlsx, docx), Text (TXT), Rich Text (RTF)
Scan destinations	Desktop, FTP, Email, Network folder, USB

## File

Document filing	Std.
Stored jobs	Copy, Print, Scan, Fax transmission
Storage folders	Quick file, Main, Custom
Confidential storage	False

## Finish

Output capacity: Min. (sheets)	500
Output capacity: Max. (sheets)	3250
Staple capacity: Max. (sheets)	65
Saddle stitch	Opt.
Off-set shifting	Std.
Hole punch	Opt.

## Toner Yield

Black (pages at 5% coverage)	40000
Cyan (pages at 5% coverage)	24000
Magenta (pages at 5% coverage)	24000
Yellow (pages at 5% coverage)	24000

