

Light Production Printer

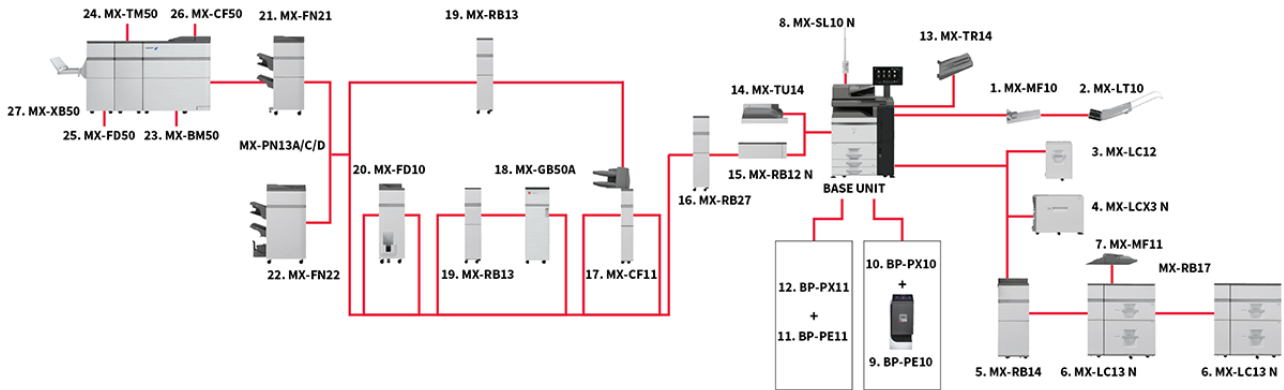
BP-90C80

Professional colour printing with outstanding productivity and exceptional print quality



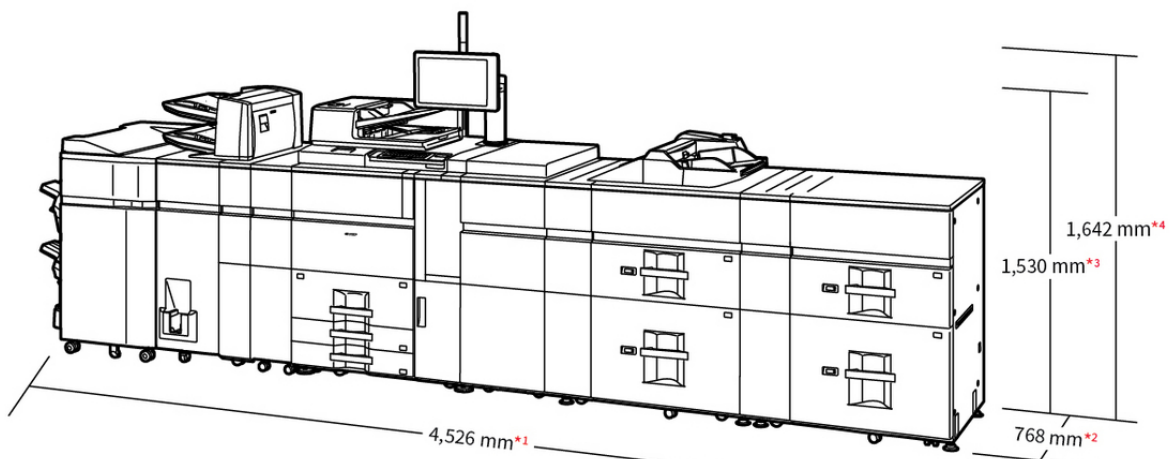
- 80ppm colour Light Production Printer with seamless integration and connection to cloud based business process applications
- Versatile paper handling of up to 360gsm thickness and edge-to-edge printing lets you create posters and full bleed booklets
- Industry leading system and data protection features including BIOS based security and standard Trusted Platform Module ensure that confidential data is kept secure
- Securely print from or scan to public cloud storage services quickly and easily with single sign-on
- Low-temperature-fusing toner delivers superior environmental performance and a low TEC value
- Pairing the device with an optional Fiery Server – external or embedded – lets you effectively manage a busy on-demand print environment
- Scan at speeds of up to 280ipm in batches of up to 300 sheets with double feed detection for eliminating productivity interruptions
- Superb 2400dpi print resolution ensures fine lines and small text are crisp and clear
- Keep your data, device and network secure with optional Bitdefender antimalware protection software
- Extensive finishing options including an inserter, folding unit, saddle stitch finisher and trimming module bring even more flexibility to your print output
- 15.4" fully flat colour touchscreen control panel displays the current operation as well as notifications for paper, toner and maintenance
- Feature rich hardware and solutions platform that supports the hybrid working environment

Configurations



Configurations may differ per sales region. Please contact your local Sharp representative for further information.

Dimensions



- *1: 4,654 mm when finisher tray is extended
- *2: 812 mm when keyboard is pulled out
- *3: Base unit
- *4: Including status indicator

Shown with optional equipment.

Dimensions are shown with optional equipment. Options may differ per region.

Options

BASE UNIT

1. MX-MF10 Multi Bypass Tray (for Base Unit)

A5R - A3W (also supports 13" x 19.2"), 100 sheets (80gsm)

Cannot be installed with MX-LC13 N.

2. MX-LT10 Long Paper Feeding Tray

Recommended for banner printing.

3. MX-LC12 Large Capacity Tray (A4)

A4 - B5, 3,500 sheets (80gsm)

Requires MX-MFX1. Cannot be installed with MX-LCX3 N or MX-LC13 N.

4. MX-LCX3 N Large Capacity Tray (A3)

A3 - A4R (also supports 13" x 19.2"), 3,000 sheets (80gsm)

Requires MX-MFX1. Cannot be installed with MX-LC12 or MX-LC13 N.

5. MX-RB14 Paper Pass Unit (between Base Unit and MX-LC13 N)

Must be installed with MX-LC13 N.

6. MX-LC13 N Large Capacity Trays

SRA3 - A4R (also supports 13" x 19.2"), 2,500 sheets each (80gsm)

Requires MX-RB16. Cannot be installed with MX-LC12 or MX-LCX3 N.

MX-RB17 Connection Module

Required if 2 x MX-LC13 N are installed.

7. MX-MF11 Multi Bypass Tray (for MX-LC13N)

SRA3 - A5R (also supports 13" x 19.2"), 500 sheets (80gsm)

8. MX-SL10N Status Indicator

9. BP-PE10 Fiery Server

Requires BP-PX10

10. BP-PX10 Interface Kit

Requires BP-PE10

11. BP-PE11 Fiery Server

Requires BP-PX11

12. BP-PX11 Interface Kit

Requires BP-PE11

PRINTING

MX-PF10 Barcode Font Kit

Enables barcode printing

SHARP OSA®

MX-AMX1 Application Integration Module

STORAGE

BP-SD10 High-Capacity SSD

512GB SSD

SECURITY

BP-FR12U Data Security Kit

Commercial version

BP-VD10 Virus Detection Kit

FINISHING

13. MX-TR14 Exit Tray Unit

Cannot be installed with MX-RB14, MX-LC13 N and MX-MF11.

14. MX-TU14 Exit Tray Cabinet

15. MX-RB12 N Paper Pass Unit (for Base Unit)

16. MX-RB27 Curl Correction Unit

Corrects paper curling by putting pressure on the convex/concave curl.

Required if MX-FN21 or MX-FN22 is installed.

17. MX-CF11 Inserter

SRA3 - A5R, 200 sheets each (80gsm)

Requires MX-RB27 and either MX-RB13 or MX-FD10 if connecting to MX-FN21 or MX-FN22.

18. MX-GB50A GBC SmartPunch Plus

Paper size: A4

Paper weight: 75-216 gsm

Requires MX-RB13 and either MX-FN21 or MX-FN22

19. MX-RB13 Relay Unit (between 100-sheet finisher and inserter)

Must be installed if MX-FD10 is not required.

Required if MX-GB50A is installed.

20. MX-FD10 Folding Unit

Folding options include Z, C, accordion, double and half folds.

Can only be installed with MX-FN21 or MX-FN22.

21. MX-FN21 Finisher (4k - 100-sheet staple)

Requires MX-RB13. Cannot be installed with MX-FN22.

A3 - B5 (offset/staple), SRA3 - A5R (non offset)

Upper tray: 1,500 sheets (80gsm), Middle tray: 250 sheets (80gsm), Lower tray: 2,500 sheets (80gsm)

100-sheet (80gsm) staple capacity (front, rear or 2 point stitching)

22. MX-FN22 Saddle Stitch Finisher (4k - 100-sheet staple)

Requires MX-RB13. Cannot be installed with MX-FN21.

A3 - B5 (offset/staple), SRA3 - A5R (non offset)

Upper tray: 1,500 sheets (80gsm), Middle tray: 250 sheets (80gsm), Lower tray: 2,500 sheets (80gsm)

100-sheet (80gsm) staple capacity (front, rear or 2 point stitching)

Saddle stitch tray: 5 sets (16-20 sheets), 10 sets (11-15 sheets), 15 sets (6-10 sheets), 25 sets (1-5 sheets)

MX-PN13A/C/D Punch Module (for MX-FN21 or MX-FN22)

A: 2 hole punch, C: 2/4 hole punch, D: 4 hole wide punch

MX-TM10 Trimming Module (for MX-FN22)

Up to 20mm trim width, 1,500 sheets (80gsm)

23. MX-BM50 Booklet Maker (Plockmatic)

A4, A3, SRA3 Requires MX-FN21 and MX-XB50

24. MX-TM50 Trimmer (for Plockmatic)

A4, A3, SRA3 Paper size: 206 x 275 mm (Min) to 320 x 457.2 mm (Max) Paper Weight: 64-300 g/m² Capacity: 1-30 sheets* (stapled and folded) Requires MX-BM50 & MX-TM50.

25. MX-FD50 Square Folder (for Plockmatic)

A4, A3, SRA3 Paper size: 206 x 275 mm (Min) to 320 x 457.2 mm (Max) Paper Weight: 64-300 g/m² Capacity: 1-30 sheets* (stapled and folded) Requires MX-BM50 & MX-TM50

26. MX-CF50 Cover Feeder (for Plockmatic)

Paper Weight: 70-250 g/m² Capacity: 20mm (approx. 200 sheets of 80g/m² paper) Requires MX-BM50.

27. MX-XB50 Rail Unit

Requires MX-BM50

Specifications

GENERAL

Engine speed: A4 Colour (ppm)	80
Engine speed: A4 B/W (ppm)	80
Engine speed: A3 Colour (ppm)	37
Engine speed: A3 B/W (ppm)	37
Paper size: Max.-Min.	A6R - SRA3
Paper weight (g/m ²)	55-360
Paper capacity: Std. (sheets)	3100
Paper capacity: Max. (sheets)	13500
Warm Up Time (sec.)	80
Memory general: Min./Max. (GB)	6
Duplex	STD
Power requirements - rated local AC voltage (Hz)	AC 220 V to 240 V, 8 A, 50 / 60 Hz
Power consumption (kW)	3.84
Dimensions base unit (mm)	982 x 768 x 1,530
Weight (kg)	220

DOCUMENT FEEDER

Original capacity (sheets)	300
----------------------------	-----

DOCUMENT FILING

Document filing capacity: main & custom folders (pages)	20000
Document filing capacity: quick file folder (pages)	10000
Stored jobs	Copy, print, scan
Storage folders	Quick file folder, main folder, custom folder (max. 1000)

FINISHING

Saddle stitch	OPT
Off-set shifting	STD
Hole punch	OPT
GBC punch	OPT
Insertor	OPT
Folding unit	OPT

COPIER

Original paper size: Max.	A3
First copy out time: Colour (sec.)	4.6
First copy out time: B/W (sec.)	3.5
Continuous copy (Max. copies)	9999
Scan resolution: B/W (dpi)	600 x 600, 600 x 400
Scan resolution: Colour (dpi)	600 x 600
Print resolution (dpi)	600 x 600, 9,600 (equivalent) x 600, 1,200 x 1,200 (B / W only)
Gradation: Colour (equivalent levels)	256
Zoom range (%)	25-400 (25-200 using DSPF) in 1% increments
Preset copy ratios	10 (5R / 5E)

SCANNER

Network Scanner (Standard / Option)	STD
Scan method Push scan and Pull scan	•
Push scan resolution (dpi)	100, 150, 200, 300, 400, 600
Pull scan resolution (dpi)	75, 100, 150, 200, 300, 400, 600, 50 - 9,600
File formats	TIFF, PDF, PDF / A-1a, PDF / A-1b, encrypted PDF, XPS, compact PDF, JPEG, searchable PDF, OOXML (docx, xlsx, pptx), text (TXT [UTF-8]), rich text (RTF)
Scan destination: Desktop	•
Scan destination: FTP, Email	•
Scan destination: Network folder	•
Scan destination: USB memory	•

PRINTER

Network Printer (Standard / Option)	STD
Resolution (dpi)	2,400 x 2,400, 1,200 x 1,200, 600 x 600, 9,600 (equivalent) x 600
Interface: Std./Opt.	USB 2.0, USB 3.0, 10Base-T / 100Base-TX / 1000Base-T
Supported OS: Std.	Windows Server 2012, Windows Server 2012 R2, Windows Server 2016, Windows Server 2019, Windows Server 2022, Windows 10, Windows 11, Mac OS 10.10, 10.11, 10.12, 10.13, 10.14, 10.15, 11, 12, 13
Network protocols	TCP / IP
Printing protocols	LPR, Raw TCP (port 9100), POP3 (email printing), HTTP, FTP for downloading print files, IPP, IPP Everywhere, SMB, WSD
PDL: Std./Opt.	PCL 6 emulation, Adobe PostScript 3
Available fonts	80 (PCL), 139 (PS3)

TONER YIELD

Black (pages at 5% coverage)	70,000
Cyan (pages at 5% coverage)	60,000
Magenta (pages at 5% coverage)	60,000
Yellow (pages at 5% coverage)	60,000

