



BP-90C80 / BP-90C70

Pro Series Colour Light Production Printing Systems

www.sharp.eu

SHARP
Be Original.

Latest generation productive printing.

Exceptional performance. Professional features.
World-class image quality. You know it's Sharp.

For productive work, printing should be effortless. It should also stay consistent through new technology advancements. With the 80 colour pages per minute (ppm) BP-90C80 and 70 ppm* BP-90C70, it's easier and more familiar than ever before.

With either model, you can produce large volumes of professional quality documents, on demand and at a moment's notice, on a huge range of media. What's more, the 'simple' mode, common on our range of office MFPs, enables rapid production of routine documents.

Consistent, class-leading print technology

Top-class media handling, high input capacity and Sharp's unique ability to print right to the edge of landscape format documents. All qualities that help operators quickly create high quality, full bleed booklets in-line and without the need for additional offline trimming equipment.

Writing resolution is a superb 2,400 dpi, and smoother and sharper lines make for higher quality documents, with fine-line detail and text with vivid images and smooth colour.

Plus, if you choose a Fiery server, you can unlock the full potential of the colour management and workflow automation software. The power and versatility of these printing powerhouses will deliver professional-looking documents with faster workflows and precise colour control for the whole workgroup.



* Up to 75 ppm black & white print speed for BP-90C70.

Modular design

The BP-90C80 and BP-90C70 come with a high-performance engine, built for high-volume print environments.

An impressive range of paper input and document finishing options lets you take on a huge variety of jobs. Powerful processing capability, deeply integrated with Adobe technology and Fiery SmartRIP, lets you fulfil demands faster and with greater precision.

What's more, the modular design means that the configuration you specify today can be easily upgraded if your needs change tomorrow.

The standard paper supply, for example, can grow to 13,500 sheets. Not only does that give you longer uninterrupted printing for maximum productivity, but you can load the trays with a wide variety of media, ready to tackle a range of tasks as and when they are presented.

Sharp Pro Series Colour Light Production Printing Systems will take care of all your document needs, on the lightest media through to the heaviest (up to 360 gsm), as well as on coated, uncoated and textured stock, from the input tray through to the finishing systems of your choice.



Effortless productivity. Seamless connectivity.

Designed from the ground up for performance, reliability and ease of use.

Maximum uptime

We know it counts to get it right the first time. So, we designed the BP-90C80 and BP-90C70 to enable exceptional productivity.

An advanced triple-air feed system drives smooth paper handling for trouble-free print runs. A large, expandable paper supply lets you take on the largest jobs with confidence and you can replace toner cartridges and load paper drawers while the machine is running, meaning you never have to pause the print run. You can also view the machine status from a distance, with an optional status indicator.

And as time goes by, you can build up a collection of customised document, job and media profiles, which can be retrieved to make repeat jobs even quicker. It all adds up to unrivalled productivity and professional output for the best possible return on investment.

Optimised scanning

The built-in 300-sheet Duplex Single Pass Feeder (DSPF) can process mixed documents simultaneously at speeds of up to 280 impressions per minute, and double-feed detection pauses operation when it detects skewed or multiple pages being fed in. It's also possible to convert scans into editable Microsoft® Office files and searchable PDFs using Optical Character Recognition (OCR).

Complexity made easy

You'll find with both the BP-90C80 and BP-90C70 that you can print almost anything. While both are extremely capable, they are surprisingly easy to use, with many 'simple' settings to take care of ordinary, everyday jobs.

Advanced system architecture and a fast processor lets you print large and complex documents quickly and with excellent colour accuracy. And you get genuine Adobe PS3 to support advanced graphic applications, too.

A seamlessly smooth operation lets you manage 20-sheet booklet-making with optional trimming; stapling and hole-punching; page insertion, and a variety of folds. Plus, you can meet expectations every time with the industry-leading GBC SmartPunch inline punching system and the Plockmatic professional booklet making unit.



Connect anytime, anywhere.

Today, your workforce can be here, there and anywhere. Staying connected and being able to create, capture and share information securely is crucial.

Sign-on made simple

The Pro Series Colour Light Production Printing Systems have a native Microsoft® Teams connector, which enables enhanced collaboration and workflow efficiency, as your employees can easily print from and scan documents to their Teams channels and folders. There is also an integrated Gmail connector for scanning to email and Exchange Online (MS 365 email).

Securely access popular public cloud storage services in an instant with Single Sign-on (SSO), including Microsoft® Teams, OneDrive® for Business, Sharepoint®, Google Drive™, and Box. There's no need for any extra software or to remember additional usernames and passwords, it's just one simple login from the control panel.

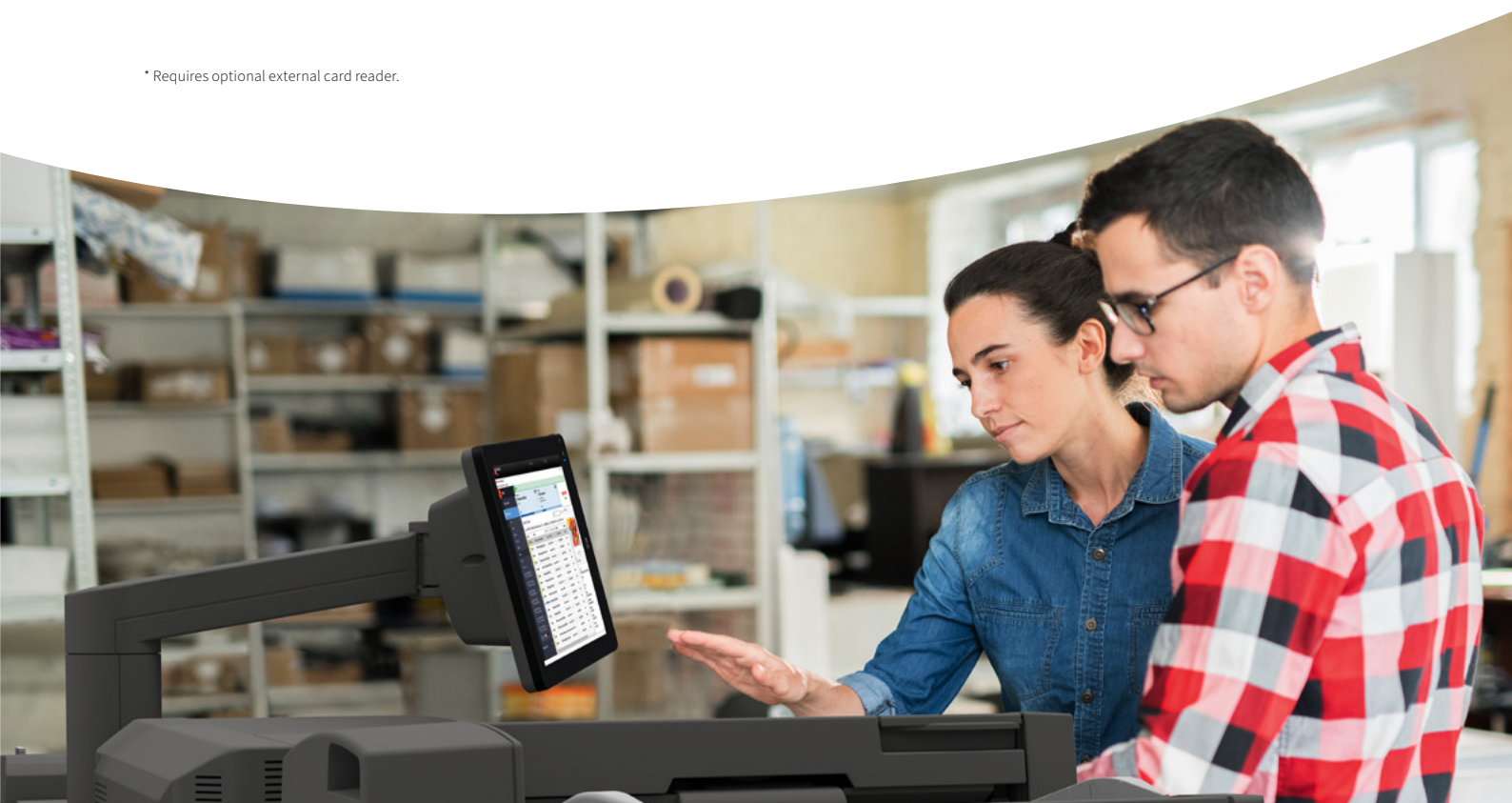


Made for mobility

Align your print capabilities and the new demands of hybrid working with the Synappx™ Go mobile app, which enables contactless and remote printing from your smartphone or mobile device. You can use it to quickly locate files across your favourite cloud storage services and then tap to share or print the files.* You can also scan documents to frequently used destinations, your email address, a group of people, or selected cloud storage services.

Simply choose your saved Microsoft® Office files and print them from a USB stick plugged straight into the MFP.

* Requires optional external card reader.



Remarkable colour. Effortless control.

When every deadline counts, we make sure that you can always meet the requirements.

We understand the pressure of deadlines. That's why we engineered the BP-90C80 and BP-90C70 to handle the widest possible range of jobs in the greatest variety of print environments.

If you specify an embedded Fiery server you can operate it directly from our largest 15.4" integrated colour touchscreen, with intuitive, multi-touch finger swipe control. The screen is configurable and consistent and can be customised to suit the way you work. That means that you won't need to sacrifice space by adding a dedicated PC, external server or special furniture.

Alternatively, we can supply the model of your choice with an external Fiery controller, it's your choice.

Whichever model you choose, you can be confident of a production-class colour printing system with the performance, versatility and ease of use you need to satisfy your most demanding requirements.

State of the art Fiery integration

Unlock complete management of your print workflow with access to the latest generation Fiery Server, whether embedded or external.

The embedded controller simplifies colour management and print job programming with easy-to-master colour tools, without compromising quality. Skilled operators will appreciate advanced functions such as auto trapping, standard and custom ICC profiles, and RGB to CMYK colour conversion, but even casual users will find it easy to adjust RGB colour balance, image brightness, contrast and saturation.

Because Fiery servers can spool, RIP and print simultaneously, the printing system can run at its full rated speed, regardless of which configuration you decide on. You'll find productivity is enhanced across the print room and jobs are turned around faster than ever.



BP-PE10 External Fiery Server.



BP-PE11 Embedded Fiery Server.

Precise, consistent colour

All Fiery servers are PANTONE® calibrated to guarantee the best match for all PANTONE colour libraries. Fiery colour management tools for colour matching, profiling, pre-flight and troubleshooting guarantee the best colour consistency and accuracy, page-after-page.

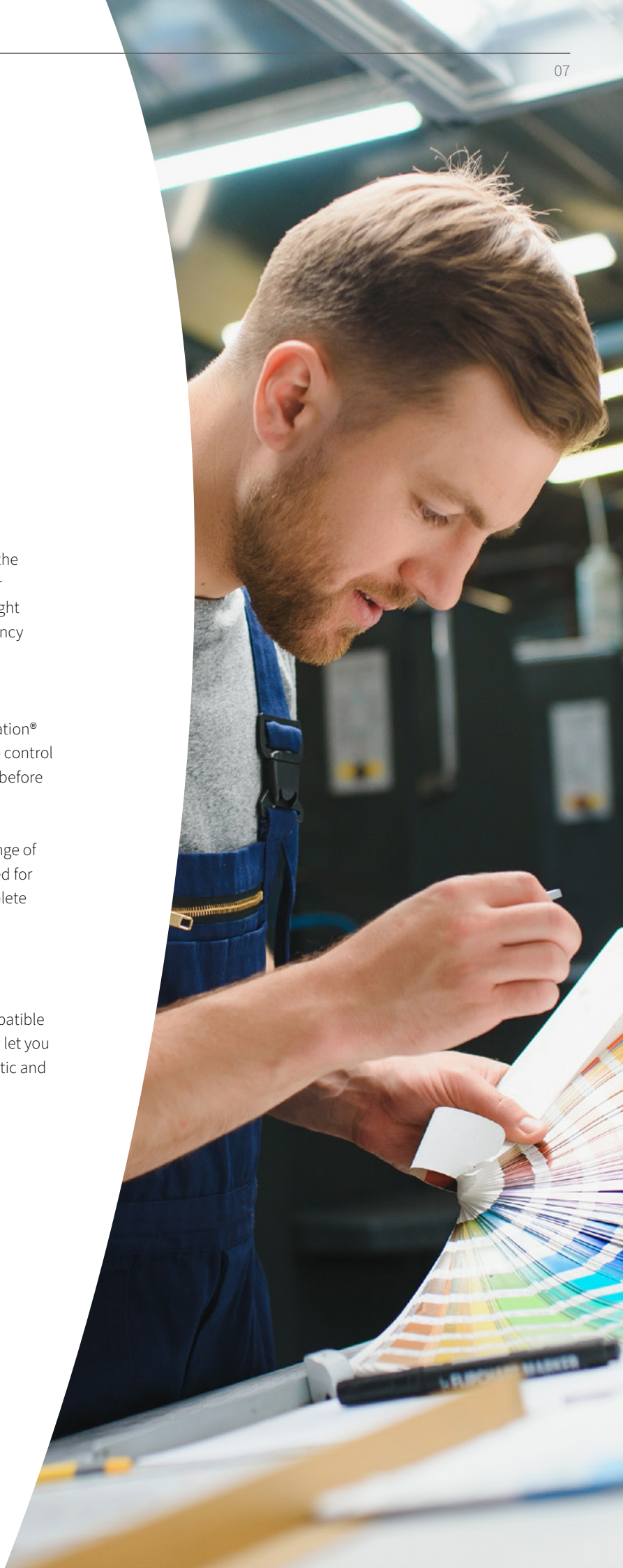
Industry-leading technology

The winner of multiple awards, Fiery Command WorkStation® makes it easy for local and remote Mac and PC clients to control Fiery servers, manage colour, submit jobs, preview jobs before printing, and more.

The latest generation Fiery server comes with a wide range of workflow and colour management software tools needed for enterprise-level printing environments; giving you complete control over every part of the production workflow.

Convenient variable data printing

Fiery software is also ideal for creating personalised communications with variable data printing (VDP). Compatible with all VDP protocols, languages and applications, they let you work with the authoring tool of your choice to create static and variable elements.



Robust security included as standard.

Information is the life-blood of an organisation. That's why Sharp keeps yours secure with every print, scan and copy.

Data security is everyone's concern. And with tough laws such as the General Data Protection Regulation (GDPR) placing stringent obligations on anyone who collects, stores or processes the personal data of EU residents, you need every part of your network to be compliant. That includes printers. The BP-90C80 and BP-90C70 support the latest network security requirements with a range of top-class security features, designed to protect each device – and the data it processes.

Safety, without the hassle

The BP-90C80 and BP-90C70 come with layer upon layer of robust but unobtrusive security. Powerful encryption, network protocol filtering, document control, activity logs, strong password protection and secure erasure capabilities work together, ensuring that confidential information and intellectual property are protected whether you're copying, scanning or printing.

With BIOS-based security, devices are prevented from starting if errors are detected. Security updates are provided automatically from the cloud to keep cyber defences up to date.

In addition, both the BP-90C80 and BP-90C70 integrate with broader security strategies through Security Information and Event Management (SIEM), offer remote control of your password policy and include anti-malware support, using Bitdefender* – making it easier for your IT team to keep your data, devices and network secure.



Proactive access control

Pre-installed root certificates prevent any unauthorised use, automatically monitor access attempts and only grant access to applications and operating firmware that are on an approved whitelist. Any other external applications are instantly blocked, logged and reported. Intrusion Detection provides the next level of protection and safeguards your device against any suspicious network access attempts.

Protection that permits productivity

As a system that's always on guard, the BP-90C80 and BP-90C70 both come with an innovative Self-Healing feature to safely recover the device in the face of a problem. Military-grade protection means you can confidently handle sensitive data knowing it is secure. Each is future-proofed by remote firmware updates to ensure all software remains compliant and the productivity of your workforce is never hampered.

* Requires optional BP-VD10

Energy efficient. Environmentally credible.

Engineered with technology that's designed to waste less power.

Like all Sharp printing systems, the BP-90C80 and BP-90C70 have been designed and engineered to be as environmentally friendly as possible. Innovative technology helps to strengthen your eco-friendly credentials by delivering a superior performance across the full range of environmental concerns. Meeting, and often exceeding, national energy conservation regulations, the BP-90C80 and BP-90C70 comply with requirements regarding use of plastics, waste products and energy consumption.

Less energy consumption

The Pro Series Colour Light Production Printing Systems offer lower Typical Energy Consumption (TEC) values. Sharp's advanced, lower melt micro-fine toner technology offers a lower consumption rate, less waste and longer replacement intervals. Administrators can set time schedules for powering on the system, and Eco Scan saves energy by keeping the fusing roller turned off during jobs that don't require any printing.

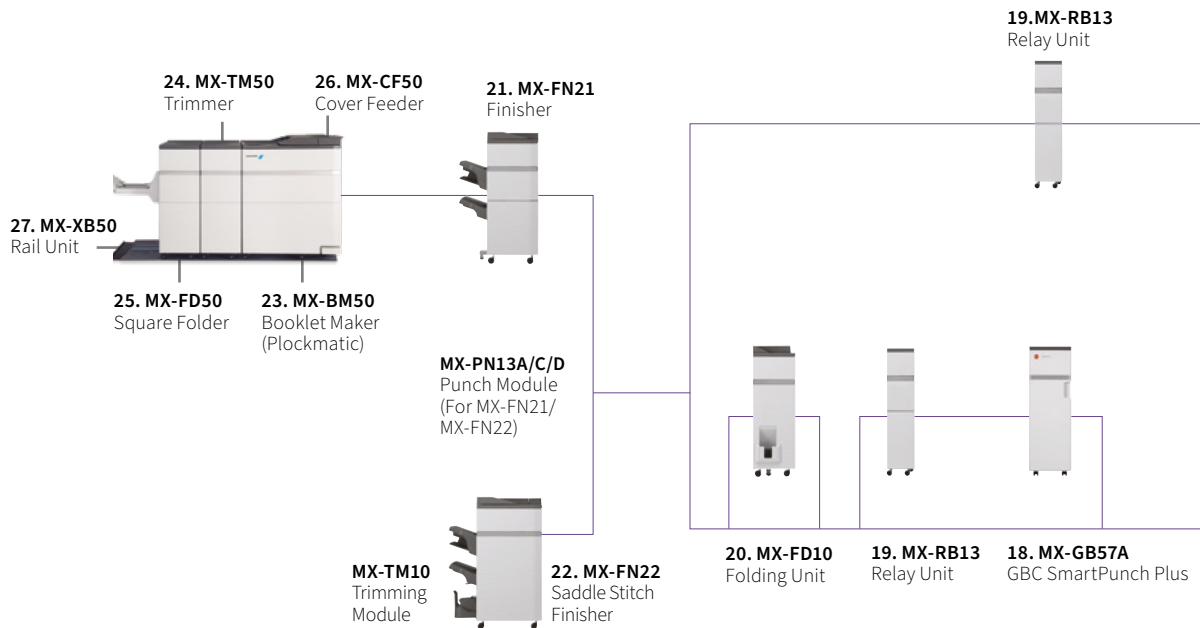
Minimised carbon footprint

Sharp supplies are packaged using fully recyclable materials, while long-life consumable parts help minimise service intervals and downtime. These principles help to minimise the carbon footprint and maximise the recyclability of our MFPs.

Achieving this has included eliminating harmful materials in operational processes and improving waste management. We have also extended the life of key component parts to ensure a longer product lifecycle and reduce the number of service interventions. LED lights in the scanner, a choice of energy-saving modes and a fuser which can turn itself off, all help you to balance productivity with economy.



Options



Base Unit

1. MX-MF10 Multi Bypass Tray (for Base Unit)

A5R - A3W (also supports 13" x 19.2"), 100 sheets (80gsm)
Cannot be installed with MX-LC13 N.

2. MX-LT10 Long Paper Feeding Tray

Recommended for banner printing.

3. MX-LC12 Large Capacity Tray (A4)

A4 - B5, 3,500 sheets (80gsm)
Requires MX-MFX1. Cannot be installed with MX-LCX3 N or MX-LC13 N.

4. MX-LCX3 N Large Capacity Tray (A3)

A3 - A4R (also supports 13" x 19.2"), 3,000 sheets (80gsm)
Requires MX-MFX1. Cannot be installed with MX-LC12 or MX-LC13 N.

5. MX-RB14 Paper Pass Unit (between Base Unit and MX-LC13 N)

Must be installed with MX-LC13 N.

6. MX-LC13 N Large Capacity Trays

SRA3 - A4R (also supports 13" x 19.2"), 2,500 sheets each (80gsm)
Requires MX-RB16. Cannot be installed with MX-LC12 or MX-LCX3 N.
MX-RB17 Connection Module
Required if 2 x MX-LC13 N are installed.

7. MX-MF11 Multi Bypass Tray (for MX-LC13 N)

SRA3 - A5R (also supports 13" x 19.2"), 500 sheets (80gsm)

8. MX-SL10 N Status Indicator

9. BP-PE10 Fiery Server

Requires BP-PX10.

10. BP-PX10 Interface Kit

Requires BP-PE10.

11. BP-PE11 Fiery Server

Requires BP-PX11.

12. BP-PX11 Interface Kit

Requires BP-PE11.

Finishing

13. MX-TR14 Exit Tray Unit

Cannot be installed with MX-RB14, MX-LC13 N and MX-MF11.

14. MX-TU14 Exit Tray Cabinet

15. MX-RB12 N Paper Pass Unit (for Base Unit)

16. MX-RB27 Curl Correction Unit

Corrects paper curling by putting pressure on the convex/concave curl.
Required if MX-FN21 or MX-FN22 is installed.

17. MX-CF11 Inserter

SRA3 - A5R, 200 sheets each (80gsm)
Requires MX-RB27 and either MX-RB13 or MX-FD10
if connecting to MX-FN21 or MX-FN22.

18. MX-GB57A GBC SmartPunch Plus

Paper size: A4
Paper weight: 75-216 gsm
Requires MX-RB13 and either MX-FN21 or MX-FN22.

19. MX-RB13 Relay Unit (between 100-sheet finisher and inserter)

Must be installed if MX-FD10 is not required.
Required if MX-GB57A is installed.

20. MX-FD10 Folding Unit

Folding options include Z, C, accordion, double and half folds.
Can only be installed with MX-FN21 or MX-FN22.

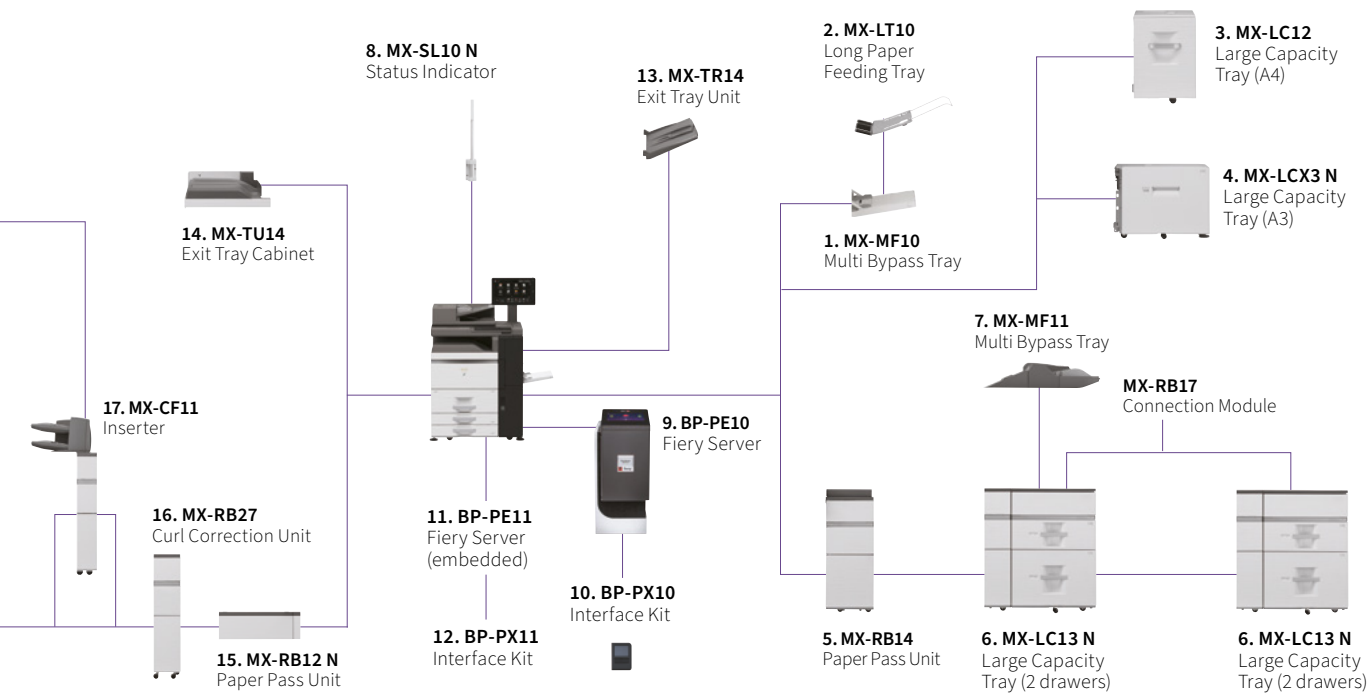
21. MX-FN21 Finisher (4k - 100-sheet staple)

Requires MX-RB13. Cannot be installed with MX-FN22.
A3 - B5 (offset/staple), SRA3 - A5R (non offset)
Upper tray: 1,500 sheets (80gsm),
Middle tray: 250 sheets (80gsm),
Lower tray: 2,500 sheets (80gsm)
100-sheet (80gsm) staple capacity (front, rear or 2 point stitching)

22. MX-FN22 Saddle Stitch Finisher (4k - 100-sheet staple)

Requires MX-RB13. Cannot be installed with MX-FN21.
A3 - B5 (offset/staple), SRA3 - A5R (non offset)
Upper tray: 1,500 sheets (80gsm),
Middle tray: 250 sheets (80gsm),
Lower tray: 2,500 sheets (80gsm)
100-sheet (80gsm) staple capacity (front, rear or 2 point stitching)
Saddle stitch tray: 5 sets (16-20 sheets), 10 sets (11-15 sheets),
15 sets (6-10 sheets), 25 sets (1-5 sheets)





MX-PN13A/C/D Punch Module (for MX-FN21 or MX-FN22)

A: 2 hole punch, C: 2/4 hole punch, D: 4 hole wide punch

MX-TM10 Trimming Module (for MX-FN22)

Up to 20mm trim width, 1,500 sheets (80gsm)

23. MX-BM50 Booklet Maker (Plockmatic)

A4, A3, SRA3
Requires MX-FN21 and MX-XB50.

24. MX-TM50 Trimmer (for Plockmatic)

A4, A3, SRA3
Paper size: 206 x 275 mm (Min) to 320 x 457.2 mm (Max)
Paper weight: 64-300g/m²
Capacity: 1-30 sheets* (stapled and folded)
Requires MX-BM50 & MX-TM50.

25. MX-FD50 Square Folder (for Plockmatic)

A4, A3, SRA3
Paper size: 206 x 275 mm (Min) to 320 x 457.2 mm (Max)
Paper weight: 64-300 g/m² Capacity: 1-30 sheets* (stapled and folded)
Requires MXBM50 & MX-TM50

26. MX-CF50 Cover Feeder (for Plockmatic)

Paper Weight: 70-250 g/m²
Capacity: 20mm (approx. 200 sheets of 80g/m² paper)
Requires MX-BM50.

27. MX-XB50 Rail Unit

Requires MX-BM50.

Printing

MX-PF10 Barcode Font Kit

Enables barcode printing

Sharp OSA®

MX-AMX1 Application Integration Module

Storage

BP-SD10 High-Capacity SSD

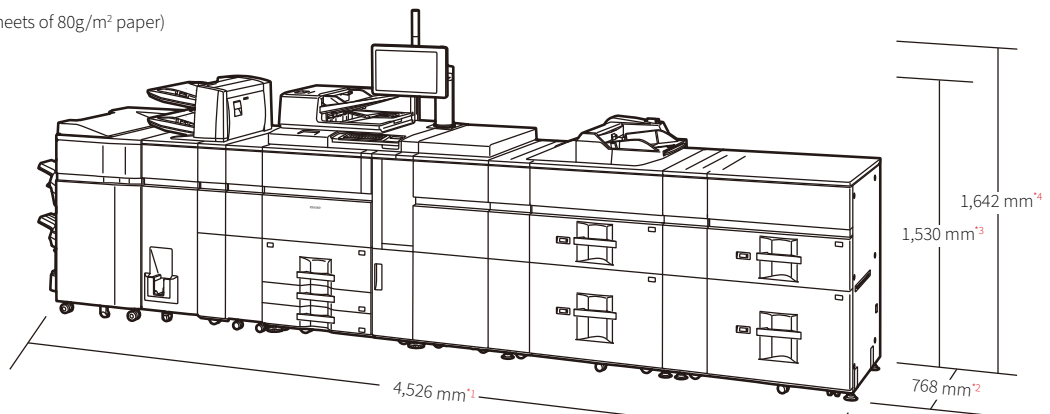
512GB SSD

Security

BP-FR12U Data Security Kit

Commercial version

BP-VD10 Virus Detection Kit



- *1: 4,654 mm when finisher tray is extended
- *2: 812mm when keyboard is pulled out
- *3: Base unit
- *4: Including status indicator

Shown with optional equipment.

Specifications

General

A4** Engine speed (ppm) (Plain / Coated) (Max) 52 – 105 g/m ² 106 – 220 g/m ² 221 – 360 gsm/m ²	BP-90C70 70 / 75 (col = 70, B/W = 75) 70 / 75 (col = 70, B/W = 75) 30 / 30	BP-90C80 80 / 80 80 / 80 30 / 30
A3 Engine speed (ppm) (Plain / Coated) (Max) 52 – 105 g/m ² 106 – 220 g/m ² 221 – 360gsm/m ²	BP-90C70 42 / 42 42 / 42 18 / 18	BP-90C80 45 / 45 45 / 45 18 / 18
SRA3 Engine speed (ppm) (Plain / Coated) (Max) 52 – 105 g/m ² 106 – 220 g/m ² 221 – 360gsm/m ²	BP-90C70 40 / 40 40 / 40 17 / 17	BP-90C80 44 / 44 44 / 44 17 / 17
Paper weight (g/m ²) (Min – Max) Drawer 1 & 2 Drawer 3 & 4 MX-MF10 MX-MF11 MX-LC12 MX-LCX3 N MX-LC13 N	60 – 105 60 – 300 55 – 360 55 – 220 60 – 220 60 – 220 55 – 360	
Paper size**2 (Min – Max) Drawer 1 & 2 Drawer 3 Drawer 4 MX-MF10/MX-MF11 MX-LC12 MX-LCX3 N MX-LC13	A4 B5R – A3W A5R – A3W A5R – SRA3 (also supports 13" x 19.2") B5 – A4 B5 – A3W (also supports 13" x 19.2") B5 – SRA3 (also supports 13" x 19.2")	
Paper input capacity (Min – Max) A4 A3 SRA3	3,100 – 13,500 1,000 – 11,500 100 – 10,500	
Paper output capacity (Min – Max) A4 / A3 / SRA3	250 – 10,500	
Warm-up time**3 (seconds)	80	
Duplex	Std	
Memory Copier/Printer (shared)	6 GB	
Power requirements	220 to 240V/8A, 50/60Hz (10A plug x 2)	
Power consumption (kW) (Max)	3.84	
Dimensions**5 (mm) (W x D x H)	982 x 768 x 1,530	
Weight (kg)	220	
Copier		
Original paper size (Max)	A3	
First copy time**6 (seconds)	Colour B/W 4.6 3.5 4.8 3.7	
Continuous copies (Max)	9,999	
Resolution (dpi) Print (Colour) Print (B/W)	1200 x 1200, 600 x 600, 9600 (equivalent) x 600 1200 x 1200, 600 x 600, 9600 (equivalent) x 600	
Gradation levels	256	
Zoom range (%)	25 – 400 (25 – 200 using DSPF) in 1% increments	
Pre-set copy ratios	Metric: 10 ratios (5R/5E), inch: 8 ratios (4R/4E)	

Network Printer

Resolution (dpi)	600 x 600, 1200 x 1200, 9,600 (equivalent) x 600, 2400 x 2400
Interface	USB 2.0 (host, high-speed), USB 3.0 (host, super speed), 10Base-T/100Base-TX/1000Base-T
Supported OS	Windows Server 2012, Windows Server 2012 R2, Windows Server 2016, Windows Server 2019, Windows Server 2022, Windows 10, Windows 11, Mac OS 10.10, 10.11, 10.12, 10.13, 10.14, 10.15, 11, 12, 13
Network protocols	TCP/IP (IPv4 & IPv6)
Printing protocols	LPR, Raw TCP (port 9100), POP3 (email printing), HTTP, FTP for downloading print files, IPP, IPP Everywhere, SMB, WSD
PDL	PCL 6 emulation, Adobe PostScript 3
Available fonts PCL Genuine Adobe® PostScript® 3™	80 139

Fiery Server (optional BP-PE10 & BP-PE11)

Resolution (dpi)	1200 x 1200, 600 x 600 (PS, PCL)
Interface	Gigabit Ethernet
Supported OS	Windows Server 2008 R2, Windows Server 2012, Windows Server 2012 R2, Windows Server 2016, Windows Server 2019, Windows Server 2022, Windows 10, Windows 11, Mac OS 10.13, 10.14, 10.15, 11, 12, 13
Network protocols	TCP/IP, LDAP, iPrint through LPR
Printing protocols	LPD, PAP, SMB, port 9100, IPP, FTP printing, print via email, WSD

Network Scanner

Scan method	Push scan (via operation panel) Pull scan (TWAIN-compliant application)
Resolution (dpi) Push scan Pull scan	100, 150, 200, 300, 400, 600 75, 100, 150, 200, 300, 400, 600 50 - 9,600 via user setting**7
File formats	TIFF, PDF, PDF/A-1a, PDF/A-1b, encrypted PDF, XPS, compact PDF**8, JPEG**9, searchable PDF, OOXML (docx, xls, pptx), text (TXT [UTF-8]), rich text (RTF)
Scan destinations	Scan to e-mail, FTP server, network folder (SMB), USB memory

Document Filing

Document filing capacity (pages/or files) Main folder & Custom Folder Quick file folder	20,000**9 or 3,000 10,000**9 or 1,000
Stored jobs	Copy, print, scan
Storage folders	Quick file folder, main folder, custom folder (max.1,000)

Toner Yields Toner

BP-90C80/BP-90C70	BP-GT90CA/MA/YA	BP-GT90BA
Cyan (pages at 5% coverage)	60,000	-
Magenta (pages at 5% coverage)	60,000	-
Yellow (pages at 5% coverage)	60,000	-
Black (pages at 5% coverage)	-	70,000



Bitdefender.

*1 Long-edge feeding. **2 Only short-edge feeding can be used with A5 (5 1/2" x 8 1/2") paper. **3 At rated voltage. May vary depending on operating conditions and environment. **4 SSD capacity depends on procurement and sourcing status. **5 Including adjusters and protruberances. **6 Long-edge feeding of A4 (8 1/2" x 11") sheets from 2nd paper tray, using document glass, without Auto Colour Selection and Auto Colour mode, MFP in fully ready condition. May vary depending on operating conditions and environment. **7 Resolution will vary depending on the size of the scanned area. **8 Colour/greyscale only. **9 Storage capacity will vary depending on the type of document and the scan settings.

Design and specifications are subject to change without prior notice. All information was correct at time of print. Microsoft, Microsoft Teams, OneDrive, SharePoint, Active Directory, Windows Server, and Windows are either registered trademarks or trademarks of Microsoft Corporation in the US and/or other countries. Adobe and PostScript 3 are either registered trademarks or trademarks of Adobe Systems Incorporated in the US and/or other countries. Google Drive and Gmail are trademarks of Google LLC. The Google Drive trademark is used with permission from Google LLC. Box is a trademark, service mark, or registered trademark of Box, Inc. PCL is a registered trademark of Hewlett-Packard Company. All other company names, product names and logotypes are trademarks or registered trademarks of their respective owners. ©Sharp Corporation September 2023. Ref: BP-90C80/BP-90C70 Brochure. Job Ref: 1562. All trademarks acknowledged. E&O.